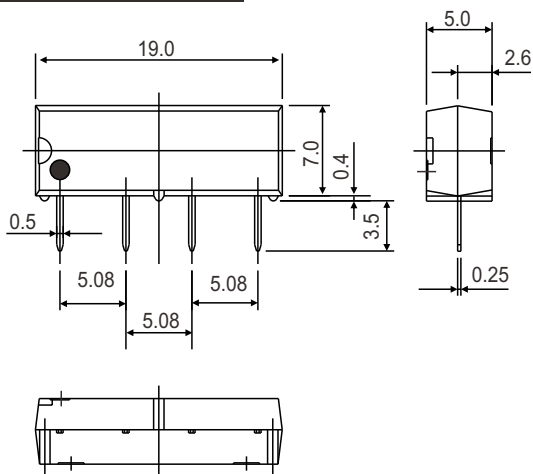
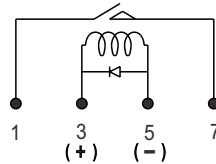


DIMENSIONS: ±0.2mm

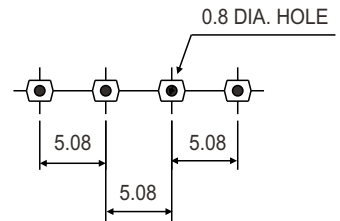
PIN OUT 1357



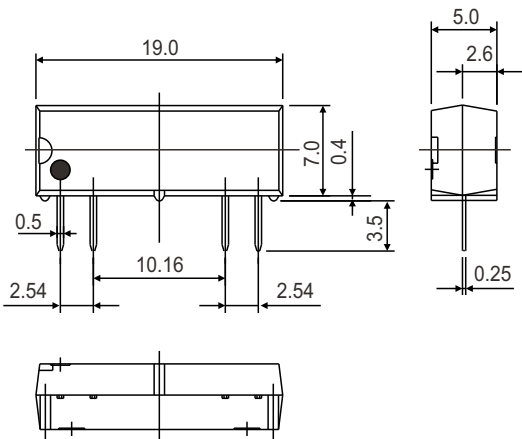
WIRING DIAGRAM
(BOTTOM VIEW)



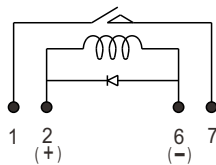
P.C.B LAYOUT
(BOTTOM VIEW)



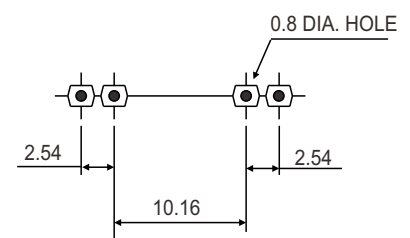
PIN OUT 1267



WIRING DIAGRAM
(BOTTOM VIEW)



P.C.B LAYOUT
(BOTTOM VIEW)



GENERAL DATA

Insulation Resistance	1,000 MΩ Min. (DC 100V)
Dielectric Strength	250 VDC between contact.
	1,400 VDC between all elements.
Contact Material	Silver- Cadmium Oxide as standard.
Contact Resistance	150 milliohms max. (initial value)
Switching Current	1A, 2A, 1B : 0.5ADC Max., 1C : 0.2ADC Max.
Carry Current	1A, 2A, 1B : 1.0ADC Max., 1C : 0.5ADC Max.
Switching Power	1A, 2A, 1B : 10VA Max. 1C : 3VA Max.
Operation Time	1 ms max.
Release Time	0.5 ms max.
Temperature Range	- 40°C ~ + 85°C
Expected Life	With operation rate 30/min. Mechanical - 10,000,000 operations min. Electrical - 100,000 operations min. at rated load.
Weight	1.4 grams