

RAYEX REC AM2 SERIES

FEATURES

- Contact rated load up to 30A/14VDC.
- Multiple choices for cover type.
- Coil enable parallel resistance reduce the operating power.
- Using at air condition control, halogen head lamp control, horn control, fog lamp control, etc.



ORDERING INFORMATION

AM2 — 12 P
 1 2 3

1. Type
 2. Coil Nominal Voltage
 3. Cover Type
 B : Non-Bracket
 P : Plastic Bracket

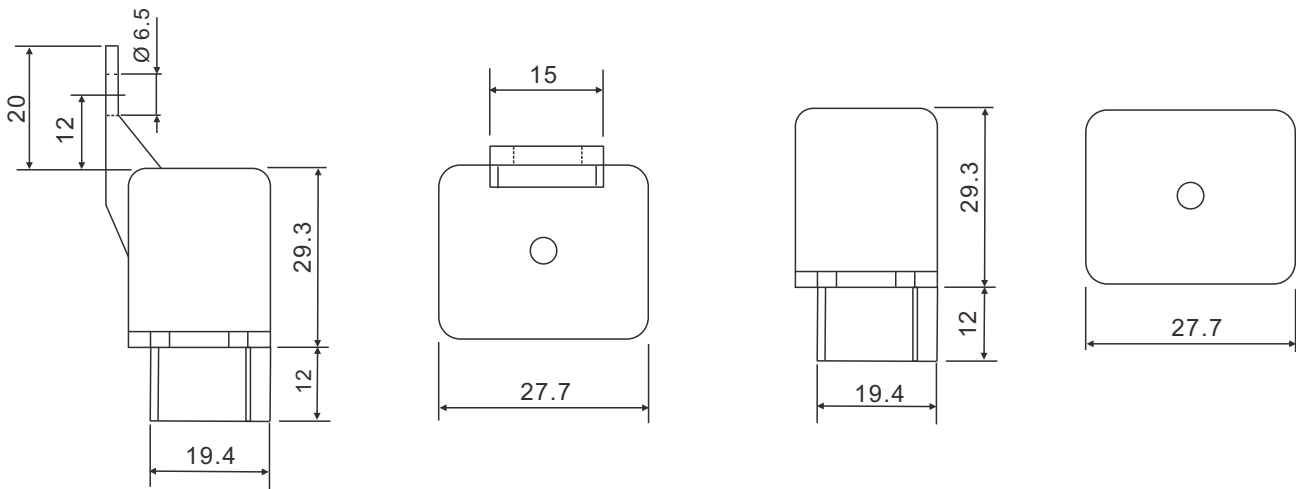
CONTACT RATING

1PST-NO	Resistive (Cos.θ = 1)	DC 14V	30A
---------	-----------------------	--------	-----

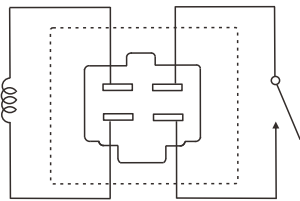
COIL DATA(1.8W, at 25°C)

Coil Nominal Voltage (VDC)	Resistance Tol.±10% (Ohms)	Nominal Current (mA)	Maximum Pick Up Voltage (v)	Minimum Drop Out Voltage (V)
12	80	150	8.4	1.2
24	320	75	16.8	2.4

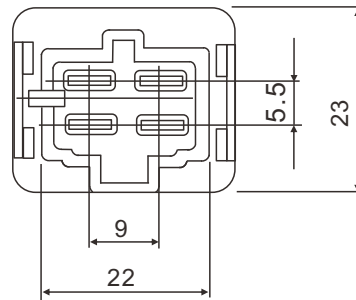
DIMENSIONS(±0.2mm)



WIRING DIAGRAM
(BOTTOM VIEW)



P.C.B LAYOUT
(BOTTOM VIEW)



GENERAL DATA

Insulation Resistance	100 MΩ Min. (DC 500V)
Dielectric Strength	500 VAC, 50/60Hz between contact.
	750 VAC, 50/60Hz between all elements.
Contact Material	Ag alloy.
Contact Resistance	50 milliohms max. (initial value)
Shock Resistance	Malfunction: 10G(11ms) ; Destructive: 100G(6ms)
Vibration Resistance	Malfunction: 10 to 55 Hz. at Double Amplitude of 1.5 mm
	Destructive: 10 to 55 Hz. at Double Amplitude of 1.5 mm
Operation Time	10 ms max.
Release Time	10 ms max.
Temperature Range	- 40°C ~ + 85°C
Expected Life	With operation rate 30/min.
	Mechanical - 10,000,000 operations min. Electrical - 100,000 operations min. at rated load.
Weight	35 grams