



AM1 SERIES

FEATURES

- 35A continuous contact rating at 85°
- 1A (1PST) and 1C (1PDT) contact arrangement
- Small size (20.5x15x22mm) with high performance
- Using at air conditioner, electrical heater, remote-controlled TV, automatic control and household electric devices.



ORDERING INFORMATION

AM1
A
12

1
2
3

1. Type
2. Contact Arrangement
Nil : 1 Form C
A : 1 Form A
3. Coil Nominal Voltage

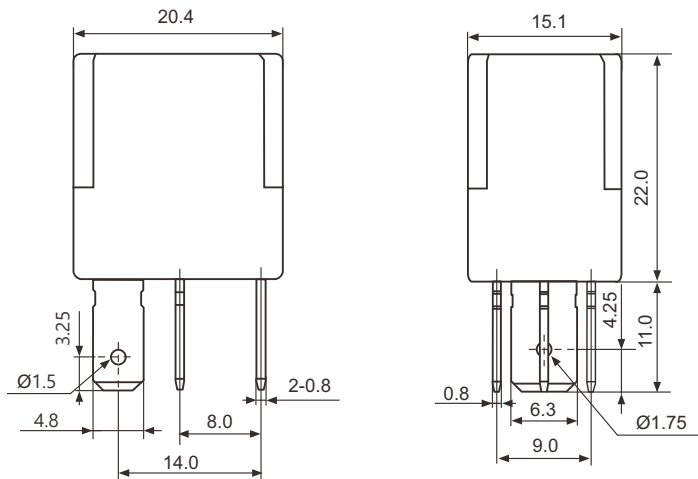
CONTACT RATING

1 FORM A (SPST)	Resistive (Cos.θ = 1)	DC 14V	35A
1 FORM C (SPDT)	Resistive (Cos.θ = 1)	DC 14V	25A

線圈參數 DATA

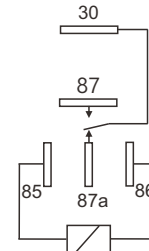
线圈电压 Coil voltage(VDC)		线圈电阻 Coil Resistance	并联电阻 Parallel Resistance	等效电阻 Equivalent Resistance	吸合电压(最大) Pick up Voltage (Max)	释放电压 VDC Release voltage(Min)	线圈功耗 Coil power consumption	動作時間 Operate Time	釋放時間 Release Time
額定 Rated	最大 Max	Ω± 10%	Ω±5%	Ω±10%	70%VDC	10%VDC	(W)	(mS)	(mS)
12	15.6	96			7.2	1.2	1.5	≤ 10	≤ 10
24	31.2	320			16.8	2.4	1.8		
12	15.6	96	680	84.1	7.2	1.2	1.7		
24	31.2	320	2700	286	16.8	2.4	2.0		
12	15.6	130			7.2	1.2	1.1		
12	31.2	130	680	109	7.2	1.2	1.3		

DIMENSIONS(±0.2mm)

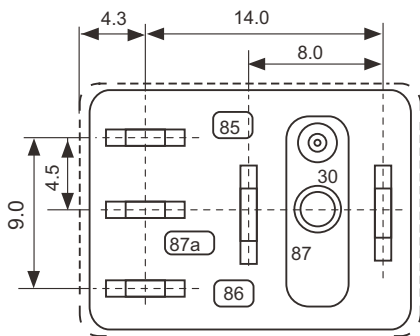


WIRING DIAGRAM (BOTTOM VIEW)

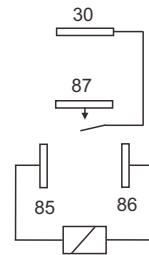
1 Form C



P.C.B LAYOUT (BOTTOM VIEW)



1 Form A



GENERAL DATA

Insulation Resistance	100 MΩ Min. (DC 500V)
Dielectric Strength	500 VAC, 50/60Hz between contact.
	500 VAC, 50/60Hz between all elements.
Contact Material	Ag Alloy.
Contact Resistance	100 milliohms max. (initial value)
Shock Resistance	Malfunction: 10G(11ms) ; Destructive: 100G(6ms)
Vibration Resistance	Malfunction: 10 to 55 Hz. at Double Amplitude of 1.5 mm
	Destructive: 10 to 55 Hz. at Double Amplitude of 1.5 mm
Operation Time	10 ms max.
Release Time	10 ms max.
Temperature Range	- 40°C ~ + 85°C
Expected Life	With operation rate 30/min.
	Mechanical - 10,000,000 operations min.
	Electrical - 100,000 operations min. at rated load.
Weight	18 grams