

FEATURES

- Breakdown Voltage Is DC.14KV
- PCB type,pcb+wire type
- Dimensions:70×19×20.5mm



ORDERING INFORMATION

R4 — 1A 12 W
 1 2 3 4

- | | |
|-------------------------|-------------------|
| 1. Type | 4. Terminals Type |
| 2.. Contact Arrangement | Nil:PCB |
| 1A : 1 Form A | W :PCB+Wire |
| 1B : 1 Form B | |
| 3. Coil Nominal Voltage | |
| DC:12,24 | |

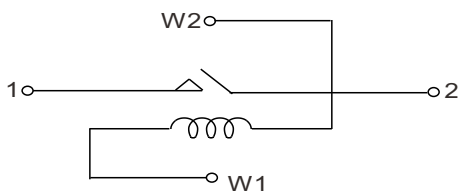
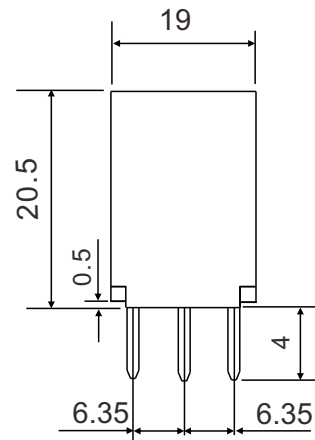
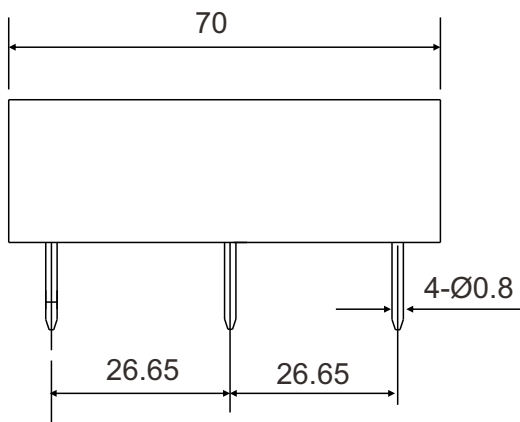
CONTACT RATING

Resistive (Cos.θ = 1)	Switch Current	2.0A
	Carry Current	3.0A

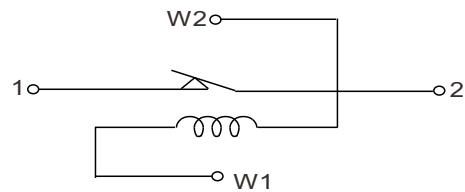
COIL DATA

Coil Nominal Voltage (VDC)	Maximum Operate Voltage(V)	Resistance Tol.±10% (Ohms)	Maximum Pick Up Voltage(V)	Minimum Drop Out Voltage (V)	Normal Current (mA)
12	15.6	200	8.4	1.2	60.0
24	31.2	720	16.8	2.4	33.3

DIMENSIONS: ±0.2mm



Normal Open



Normal Close

GENERAL DATA

Contact Resistance	150 MW Max. (Initial)
Breakdown Voltage	Open Contacts DC. 14KV Min.
	Contacts to Coil DC. 15KV Min.
Insulation Resistance	Open contacts 1×10^9 W Min. (DC 100V)
	Contacts to coil 1×10^9 W Min. (DC 100V)
Electromotive Capacitance	2.0pF Max.
Operation Time	(Incl. bounce) 4.0ms Max. (at Normal Voltage)
Release Time	2.0 ms Max. (at Normal Voltage)
Vibration	20G (0~55Hz, 1.5mm)
Shock	30G (11ms, 1/2 Sin Wave)
Operating Temperature	- 20°C ~ + 70°C
Storage Temperature	- 35°C ~ + 90°C
Expected Life	Mechanical - 10,000,000 operations min.
	Electrical - 1×10^8 Min Operations (R.L.)