

## FEATURES

- Small size, light weight(4g).
- Withstands high temperature, operational under 105°C ambient temperature.
- Heavy contact load switching current up to 30A



## ORDERING INFORMATION

AM6
—
12
T  
1
2
3
4

- |                       |                            |
|-----------------------|----------------------------|
| 1. Type               | 3. Coil Nominal Voltage:12 |
| 2.Contact Arrangement | 4.T:Twin relay             |
| Nil:1Form C           |                            |
| 1A:1Form A            |                            |

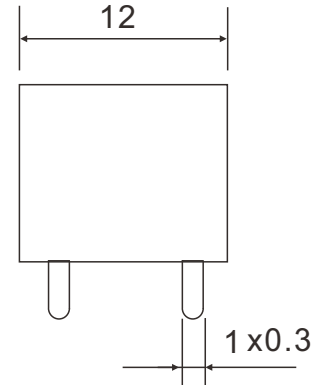
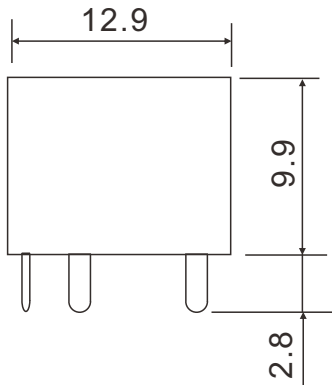
## CONTACT RATING

1 FORM C (SPDT)	Resistive (Cos.θ = 1)	14 VDC	20A
1 FORM A (SPST)	Resistive (Cos.θ = 1)	14 VDC	20A

## COIL DATA(0.6W, at 25°C)

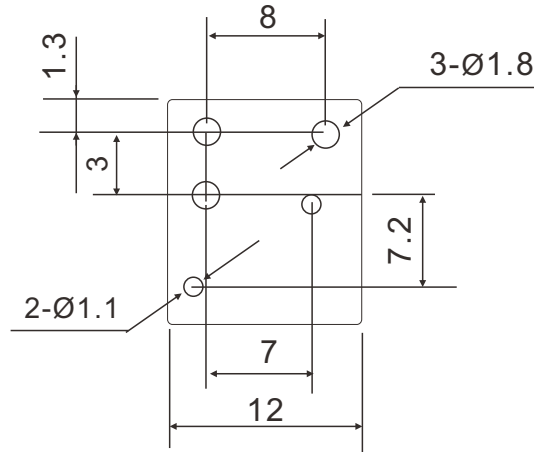
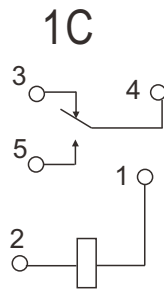
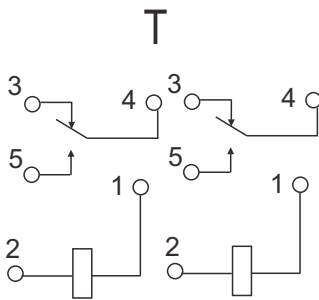
Coil Voltage (VDC)	Resistance Tol.±10% (Ohms)	Nominal Current (mA)	Maximum Pick Up Voltage (V)	Minimum Drop Out Voltage (V)
12	240	50	8.4	1.2
24	960	25	16.8	2.4

## DIMENSIONS(±0.2mm)



WIRING DIAGRAM  
(BOTTOM VIEW)

P.C.B LAYOUT  
(BOTTOM VIEW)



## GENERAL DATA

Insulation Resistance	1000 MΩ Min. (DC 500V)
Dielectric Strength	500 VAC, 50/60Hz between contact.
	500 VAC, 50/60Hz between all elements.
Contact Material	Ag Alloy.
Contact Resistance	100 milliohms max. ( initial value )
Shock Resistance	300m/s <sup>2</sup> 6ms
Vibration Resistance	10~500Hz double amplitude 1.27 mm 60m/s <sup>2</sup>
Temperature Range	- 40°C ~ + 105°C
Expected Life	With operation rate 30/min.
	Mechanical - 10,000,000 operations min. Electrical - 100,000 operations min. at rated load.
Weight	4 grams