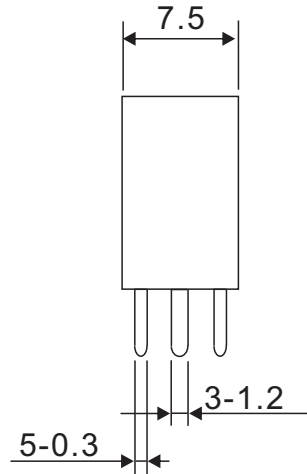
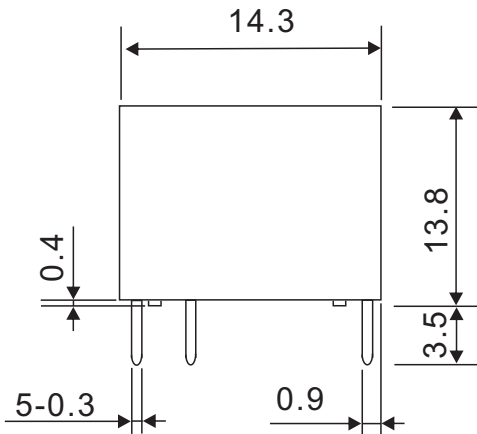
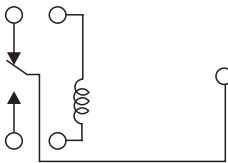


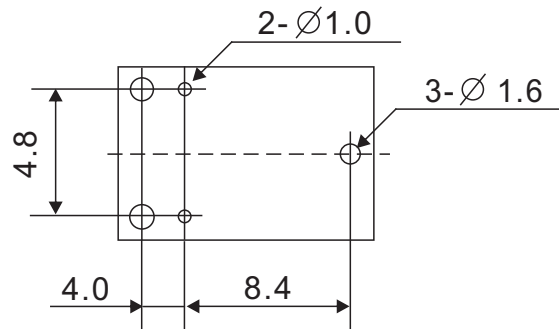
DIMENSIONS(±0.1 mm)



WIRING DIAGRAM
(BOTTOM VIEW)



P.C.B LAYOUT
(BOTTOM VIEW)



GENERAL DATA

Insulation Resistance	100 MΩ Min. (DC 500V)
Dielectric Strength	500 VAC, 50/60Hz between contact.
	1,000 VAC, 50/60Hz between all elements.
Contact Material	Ag Alloy.
Contact Resistance	100 milliohms max. (initial value)
Shock Resistance	Malfunction: 10G(11ms) ; Destructive: 100G(6ms)
Vibration Resistance	10Hz~500Hz Acceleration:43.1m/s ²
Operation Time	10 ms max.
Release Time	5 ms max.
Temperature Range	- 40°C ~ 105°C
Expected Life	With operation rate 30/min. Mechanical - 10,000,000 operations min. Electrical - 100,000 operations min. at rated load.
Weight	4.1 grams