

## FEATURES

- Small size, light weight.
- Low coil power consumption.
- PC board mounting.
- Suitable for automobile, automation system, electronic equipment, instrument, telecommunication facilities and remote control facilities



## ORDERING INFORMATION

AM5 — 12

1                  2                  3

- |                        |                             |
|------------------------|-----------------------------|
| 1. Type                | 3. Coil Nominal Voltage: 12 |
| 2. Contact Arrangement | 4. Coil Sensitivity         |
| Nil: 2 Form C          | Nil: Standard Type (0.6W)   |
| 2A: 2 Form A           |                             |

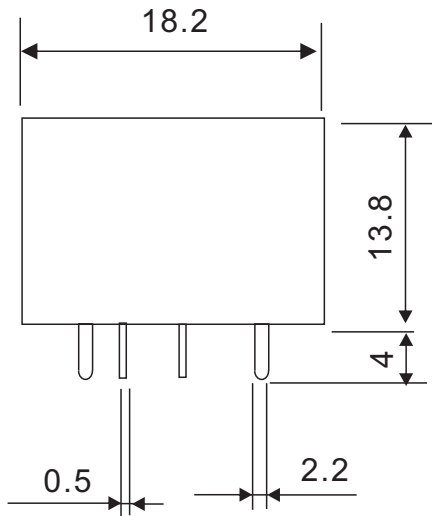
## CONTACT RATING

2 FORM C (SPDT)	Resistive (Cos.θ = 1)	14 VDC	20A
2 FORM A (DPST)	Resistive (Cos.θ = 1)	14 VDC	20A

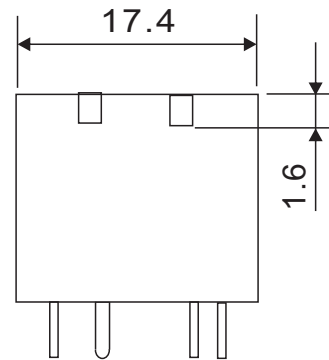
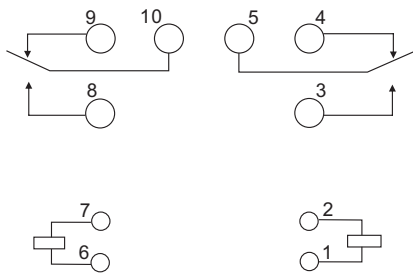
## COIL DATA(0.6W at 25°C)

Coil Nominal Voltage (VDC)	Resistance Tol.±10% (Ohms)	Nominal Current (mA)	Maximum Pick Up Voltage (V)	Minimum Drop Out Voltage (V)
	<b>0.6W</b>	<b>0.6W</b>		
12	240	50	6.9	1

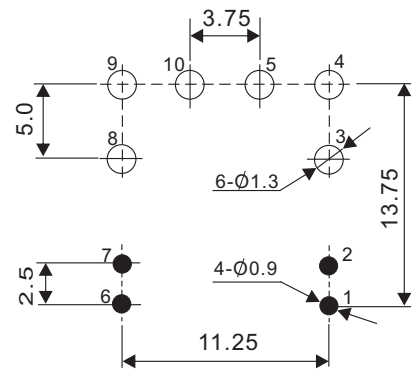
## DIMENSIONS(±0.1mm)



WIRING DIAGRAM  
(BOTTOM VIEW)



P.C.B LAYOUT  
(BOTTOM VIEW)



## GENERAL DATA

Insulation Resistance	100 MΩ Min. (DC 500V)
Dielectric Strength	500 VAC, 50/60Hz between contact.
	500 VAC, 50/60Hz between all elements.
Contact Material	Ag Alloy.
Contact Resistance	100 milliohms max. ( initial value )
Shock Resistance	Malfunction: 10G(11ms) ; Destructive: 100G(6ms)
Vibration Resistance	10~100Hz 100 m/s <sup>2</sup> Double Amplitude of 1.5 mm
Operation Time	10 ms max.
Release Time	5 ms max.
Temperature Range	- 40°C ~ + 85°C
Expected Life	With operation rate 30/min.
	Mechanical - 10,000,000 operations min. Electrical - 100,000 operations min. at rated load.
Weight	15 grams